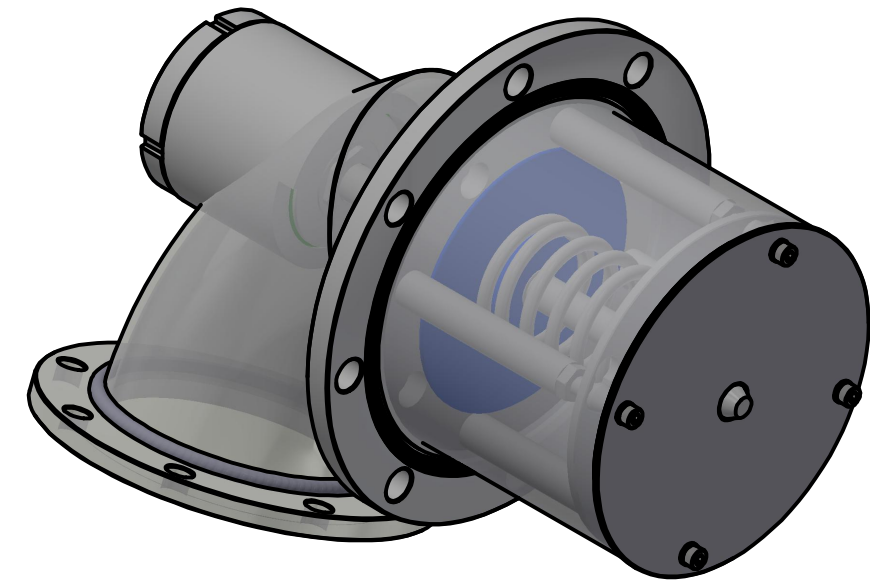
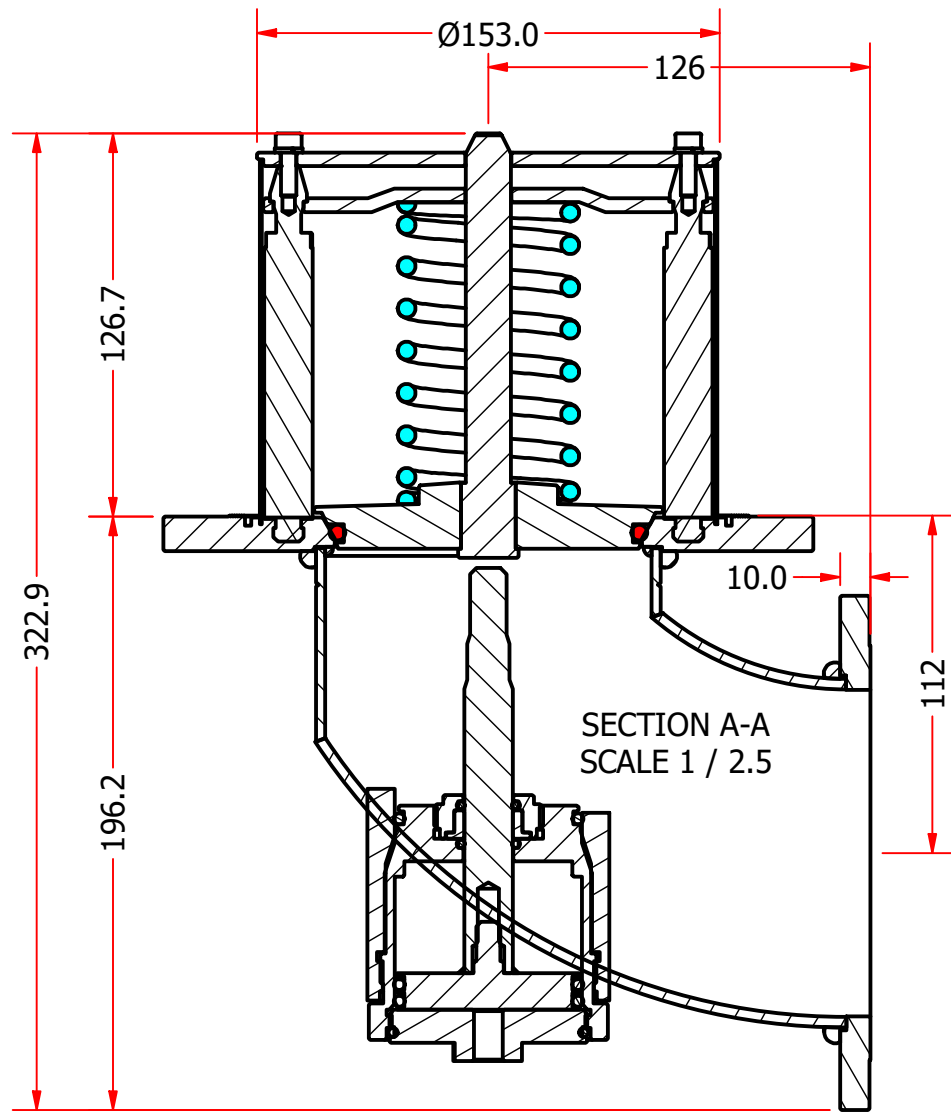
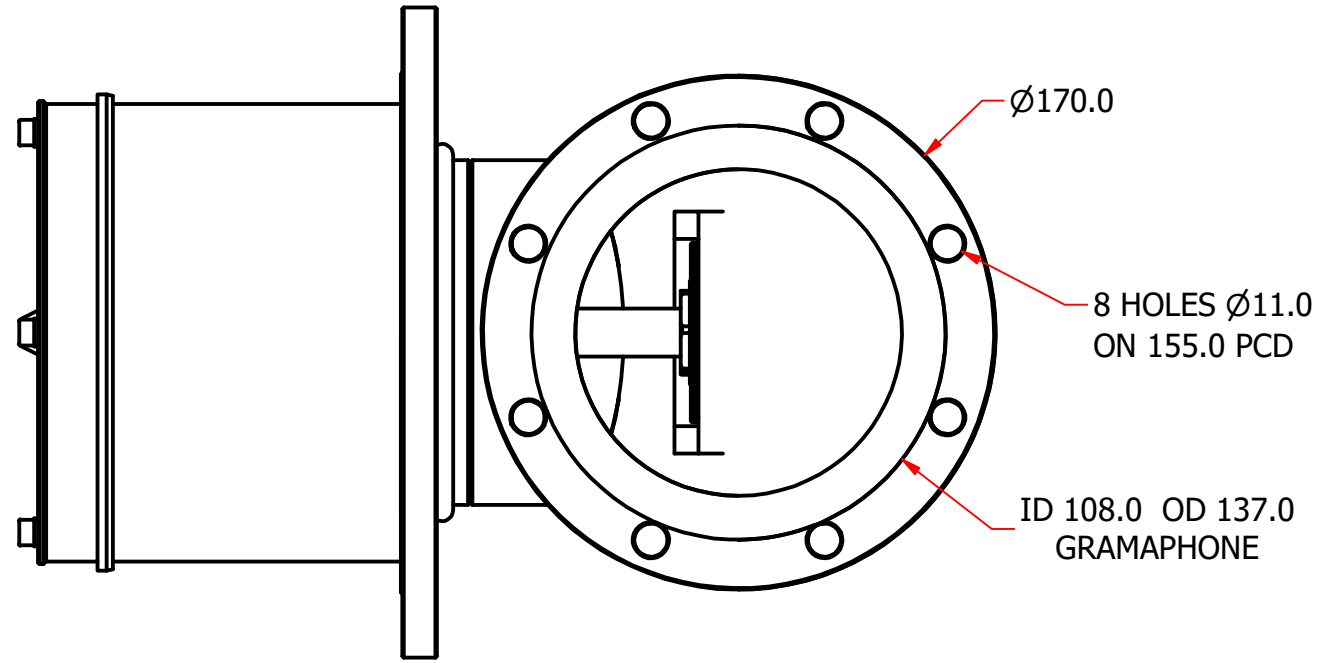
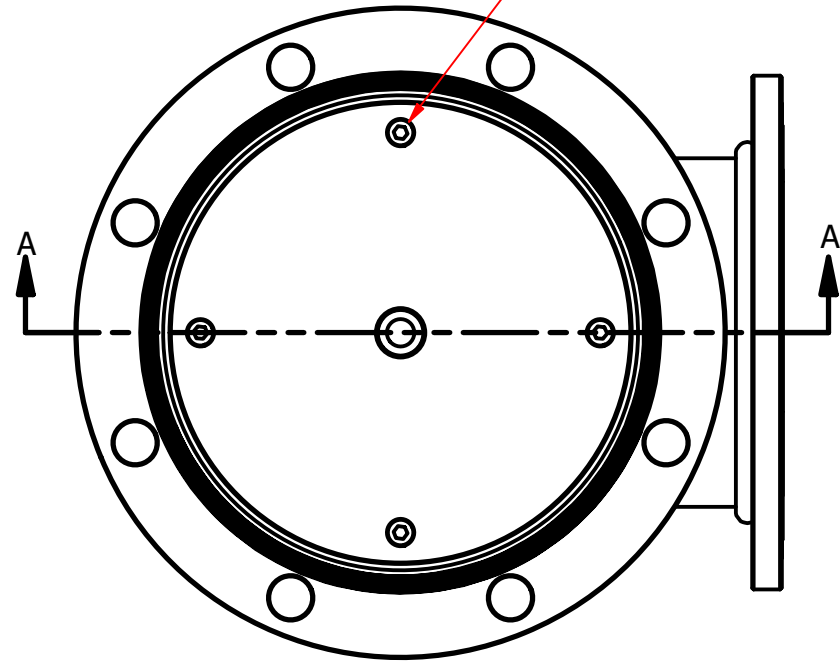


4 OF M5 Socket Head Cap Screw
ON 132.2 PCD



NO TRANSFER OF INTELLECTUAL PROPERTY : Any & all drawings, documentation, information or data provided by AMF to be used solely for the use intended by AMF, nor may it be shared, copied, distributed or disseminated in any manner whatsoever. All intellectual property, including AMF's drawings, shall remain the sole property of AMF.



APPROVED
R.P.M.J.

2022/11/02

TITLE

100mm STD BOTTOM VALVE
GENERAL ARRANGEMENT

SIZE DWG NO

A3 AMF_BOV_100_90_STD_ADR_316L

REV

1

SCALE 1 : 2.5

SHEET 1 OF 3